

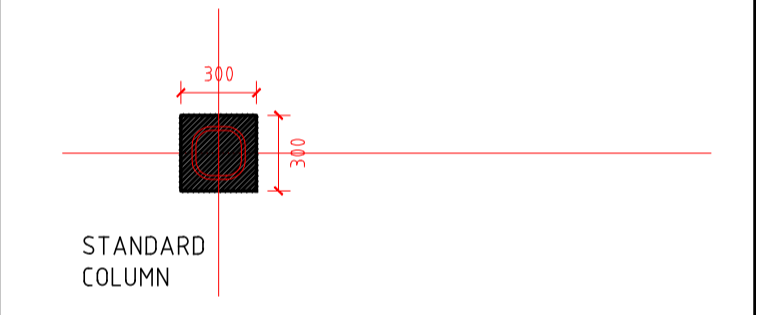
**NOTES**

CHECK AND CONFIRM ALL EXISTING LEVELS ON SITE PRIOR TO COMMENCING ANY WORKS. REPORT ANY DISCREPANCIES OR ERRORS TO THE ARCHITECT PRIOR TO PROCEEDING AND SEEK AN INSTRUCTION.

BUILDER SHALL VERIFY ALL DIMENSIONS ON SITE PRIOR TO COMMENCEMENT OF THE PRODUCTION OF ANY SHOP DRAWINGS OR THE MANUFACTURE OF ANY ELEMENTS AND REPORT ANY DISCREPANCIES TO THE ARCHITECT BEFORE PROCEEDING AND SEEK AN INSTRUCTION.

ALL WORKMANSHIP AND MATERIALS TO BE IN ACCORDANCE WITH THE LATEST RELEVANT SAA CODES, BUILDING REGULATIONS AND BUILDING CODE OF AUSTRALIA.

DO NOT SCALE DRAWINGS.



REV	DETAILS	DATE	BY
2	ISSUED FOR REVIEW	23/09/14	HD
1	ISSUED FOR REVIEW	22/09/14	HD

**mcg architects pty ltd**  
**JCY architects and urban designers**

CLIENT  
**CITY OF BUSSETON**

PROJECT TITLE  
**BUSSETON ADMINISTRATION AND CIVIC CENTER  
 2 SOUTHERN DRIVE  
 BUSSETON**

DRAWING TITLE  
**GROUND FLOOR PLAN**

DESIGN	DATE	PROJECT NUMBER
		<b>1313</b>
DRAWN	SCALE	DRAWING NUMBER
		<b>SK01</b>
		REV
		<b>2</b>

THIS DRAWING IS AND SHALL REMAIN THE PROPERTY OF "mcg architects pty ltd" AND MAY ONLY BE USED FOR THE PURPOSE FOR WHICH IT WAS COMMISSIONED AND MAY NOT BE COPIED, REPRODUCED OR DISTRIBUTED WITHOUT WRITTEN PERMISSION OF THE OWNER.

